

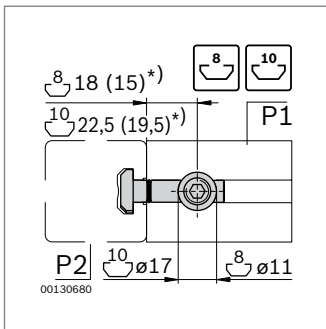
Quick connector, 8/10 mm slot, 90° Cover cap



- ▶ Tie rod head rotated at a 90° angle to the connector sleeve
- ▶ Profile finishing:
blind hole DI, DB11, DB17 or through hole DI, D11, D17

Optional accessories:

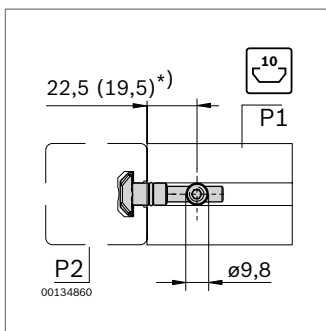
- ▶ Anti-torsion element (p. 3-41)
- ▶ Radial compensation (p. 2-85)
- ▶ Drilling jig (p. 14-2)
- ▶ Cover cap



Slot	F_{max}	M_{max}
8 / 8	500 N	40 Nm
10 / 10	4000 N	140 Nm

*) With the use of radial compensation

Quick connector, 90°	P1 / P2	D	ESD	No.
		(mm)		
steel; galvanized	8 / 8	11	10	3 842 535 465
	10 / 10	17	10	3 842 535 466
steel, stainless	8 / 8	11	10	3 842 548 937
	10 / 10	17	10	3 842 548 938

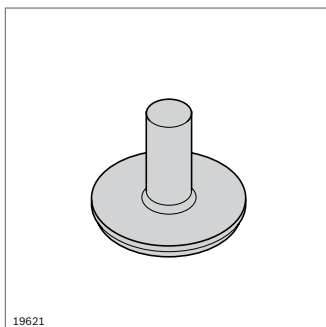


Slot	F_{max}	M_{max}
10 / 10	800 N	50 Nm

*) With the use of radial compensation

Quick connector 90°, connector sleeve D = 9.8	P1 / P2	D	ESD	No.
		(mm)		
steel; galvanized	10 / 10	9.8 ¹⁾	10	3 842 541 410

¹⁾ No standard hole in modular dimensions 40, 50 and 60, target distance from profile end: 22.5mm



Cover cap	D (mm)	No.
	11	100 3 842 538 563
	17	100 3 842 538 564

Material: PE, light gray RAL 7035